

**C DEN HARTOG INDUSTRIES, INC.**

**ACT2500-LPG**

Copyright. All information furnished within this document, electronic file or design correspondence is the property of Den Hartog Industries, Inc. and shall not be used, disclosed to others or copied without the expressed written consent of Den Hartog Industries, Inc.

**CAUTION LABEL 19463**

**CAUTION**

**DO NOT OVER TIGHTEN BOLTS**

**SNUG UP ALL BOLTS THEN EVENLY TORQUE EACH BOLT TO 10 FT. LB.**

**FAILURE TO HEED MAY RESULT IN BOLT FAILURE AND TANK LEAKAGE**

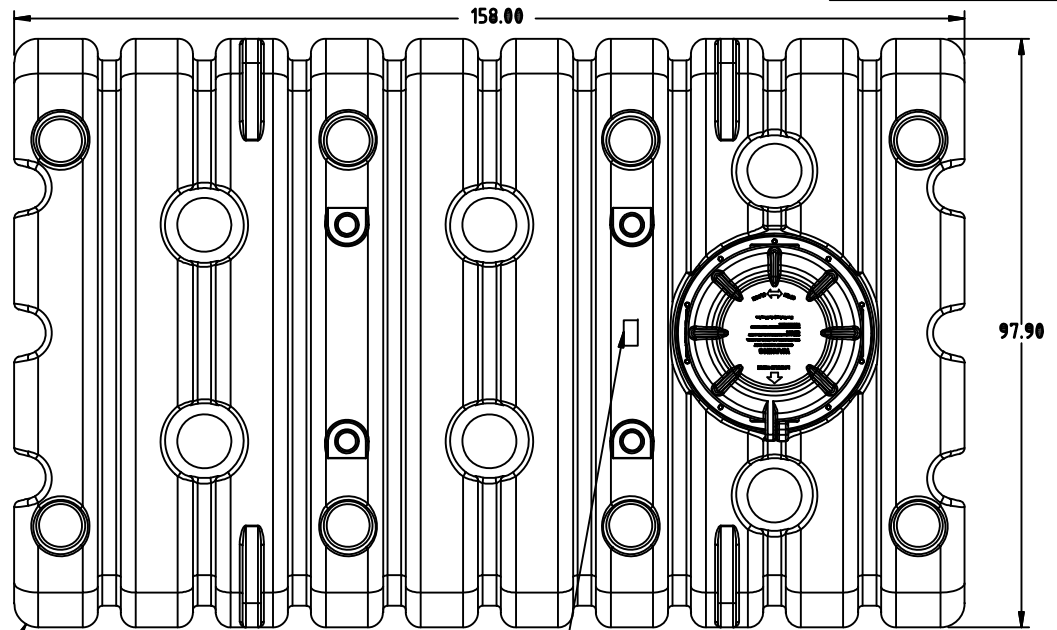
**CAUTION LABEL 19471**

**CAUTION**

**28" MAXIMUM BURIAL DEPTH TO HERE**

**FAILURE TO HEED MAY RESULT IN TANK FAILURE**

19471



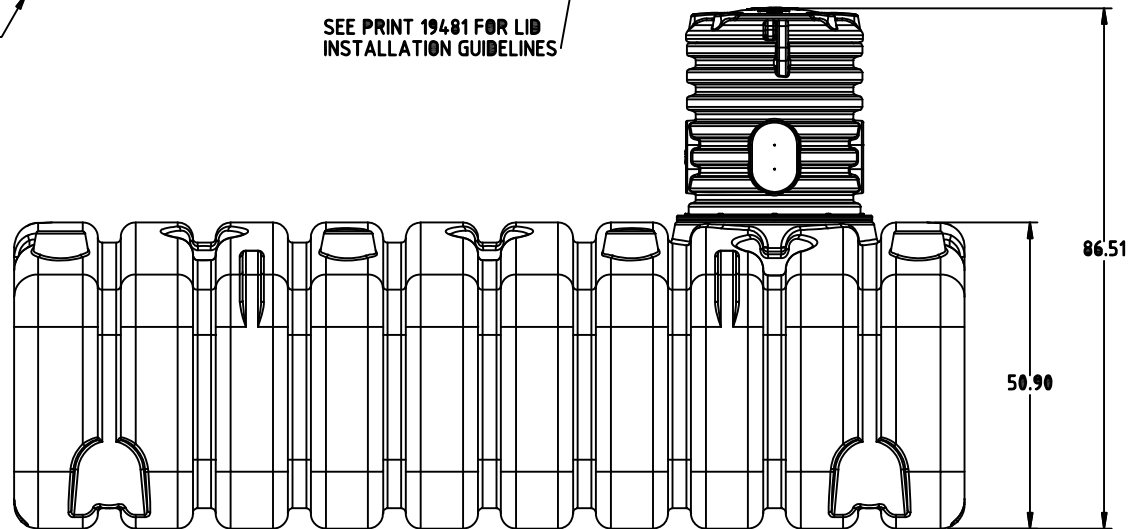
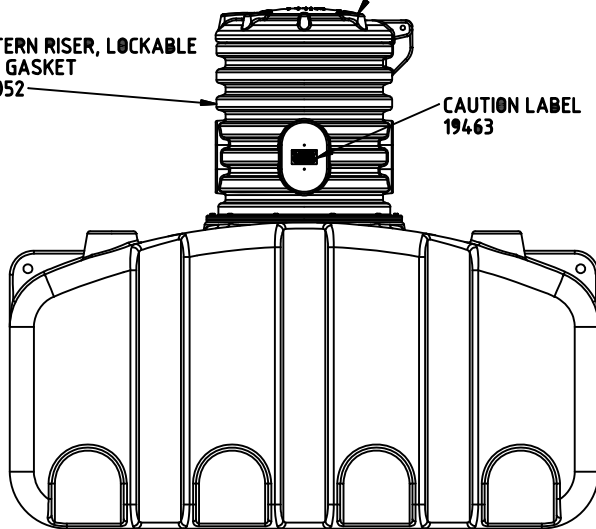
SEE PRINT 19481 FOR LID INSTALLATION GUIDELINES

R4.00

SEE PRINT 19481 FOR LID INSTALLATION GUIDELINES

**28" CISTERN RISER, LOCKABLE LID AND GASKET ACT-16052**

**CAUTION LABEL 19463**



				<b>DRAWN / DATE</b> ADH 4/8/10	<b>MATERIAL</b>	<p>TANKPROJECT-1999 PROJECTE-1979 - TANKSOMA CONTINENTAL-CAD BRANDED Design Development &amp; CHARACTER-LAL_ML_Lpg</p> <p>4010 HOSPERS DRIVE S. BOX 425, HOSPERS, IOWA 51238-0425</p>
				<b>APPRD. / DATE</b> REH 4/14/10		
<b>REV</b>	<b>DESCRIPTION</b>	<b>BY / DATE</b>	<b>CCN</b>	<b>SHOT WEIGHT:</b>	<b>NOTES:</b>	<b>DESCRIPTION</b> 2500 GALLON LOW PROFILE CISTERN WITH GROUND ACCESS ASSEMBLY
	<b>ALL DIMENSIONS ARE IN DECIMAL INCHES TOLERANCES UNLESS OTHERWISE SPECIFIED</b>	<b>THIRD ANGLE PROJECTION</b> ANSI 14.5M		<b>SHIPPING WEIGHT:</b> 1067.00 LBS		
	<b>POLYETHYLENE</b> ±1% @ 68° F	<b>METAL</b> DECIMAL ± .125" FRACTION ± 1/4" ANGLE ± 1°		<b>FINISH:</b>		
					<b>SCALE</b> N.S.	<b>PART NO.</b> ACT2500-LPG